

SPECIFICATIONS

General Information

- 4 x EC Fans for 100% variable airflow supply and redundancy
- Up to four probes for accurate temp control
 - (1 included)
- Visual user interface for set point control
- Supports 0-16kW IT Load at 0.0" H2O
- Consumes < 255 W at 100% fan speed
- 23.1"x27"x5" for use in 8" FFH or Greater
- Universal Voltage input (100-240V)
 - 120V: [FLA: 2.3A; MCA: 2.9A; MOCP: 15A]
 - 240V: [FLA: 1.2A; MCA: 1.5A; MOCP: 15A]
- Fan speeds infinitely variable 0-100%
- Multi-point Monitoring System (Fan Speed, Temperature Sensor, "Keep-Alive" Monitoring)
- Adjustable Minimum / Maximum Fan Speed Settings
 - Default: Min=30%, Max=65%

INCLUDED COMPONENTS

- PowerAire®
- 4 Tool-less String Hangers
- 4 Alternative Corner Lock Hangers
- 1 Temperature Monitoring Probe
- Zip Ties for Temperature Probes
- 6' Power Cord (100-120V) (IEC C14 inlet)
- Single Input power supply

OPTIONS

- Up to 3 Additional Temperature Probes
- Redundant Universal Power Supply (100-240V)

RECOMMENDED AIRFLOW PANELS

- DirectAire®
- DirectAire® X2
- DirectAire® AI

UNDERSTRUCTURE OPTIONS

- 24" Bolted Steel System
- 48" Bolted Steel System



Alternative Corner Lock Hangers



User set point control, display for Rack Face Temperature

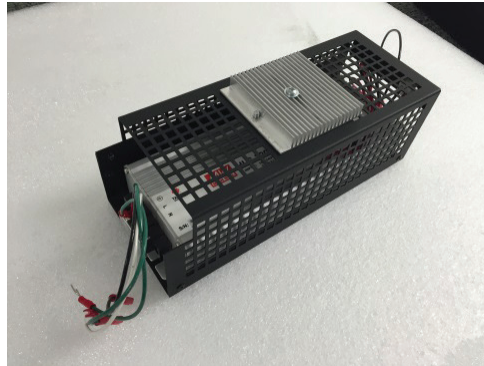
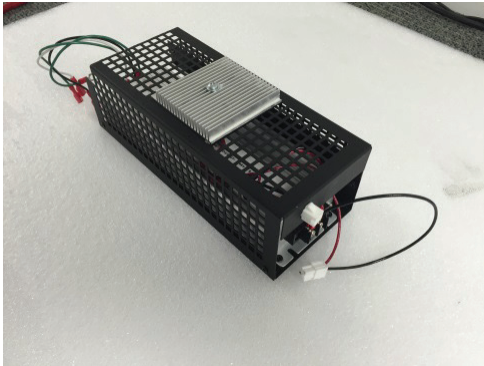


4 x Redundant Energy Efficient EC Fans with 0-100%



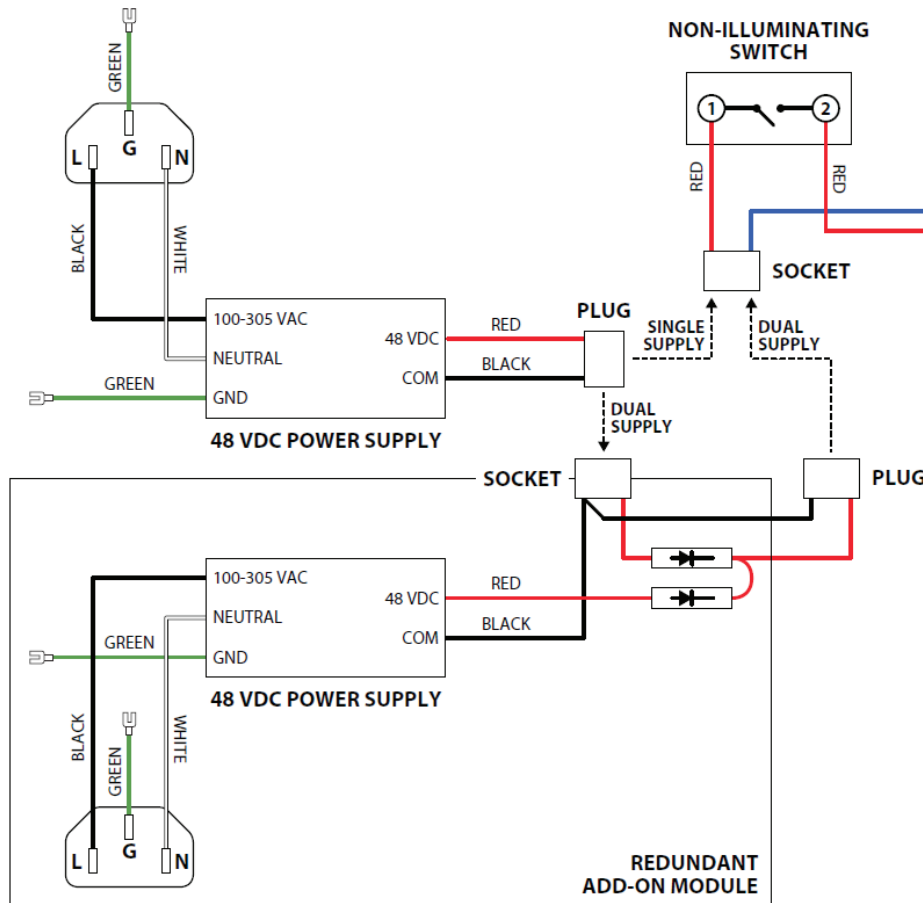
Temperature Sensor Control Cable Probe Connection

REDUNDANT UNIVERSAL POWER SUPPLY

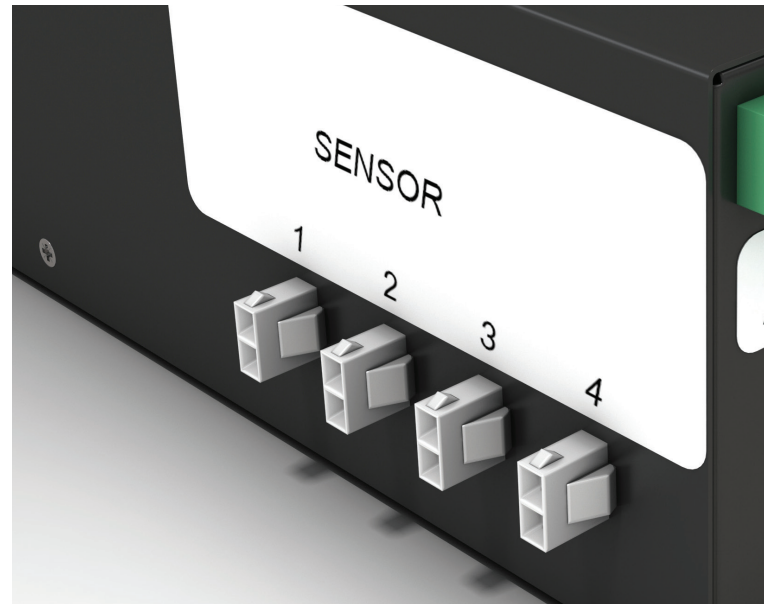


Universal secondary power supply is easily installed by removing cover plate and wiring pre-terminated connections into PowerAire Quad and replacing cover plate.

REDUNDANT UNIVERSAL POWER SUPPLY (23358) WIRING DIAGRAM



ADDITIONAL TEMPERATURE PROBES



Up to three additional Temperature Probes are also available for the PowerAire Quad for a 4 sensor system. The fan speed is determined based upon the highest sensed temperature value across all of the installed temperature sensors.

To install additional temperature sensors:

1. Hold down the up and down arrows until the display begins to flash
2. Press the “set” key until the display flashes the number of sensors variable is shown and begins flashing
3. Press the up and down arrows to set the correct number of sensors connected
4. Hold down the set key for 5 seconds until the display stops flashing and current temperature is shown again



Serial Port and Contact Ports

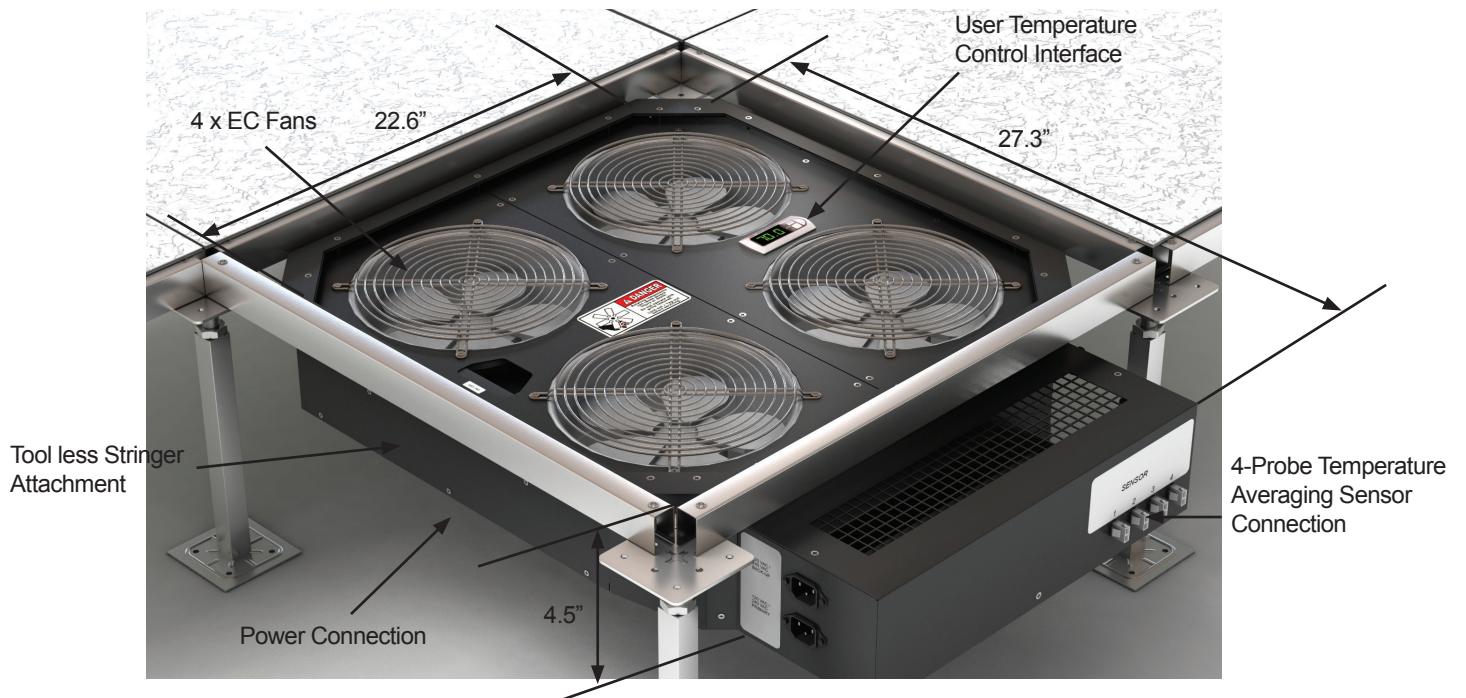
The PowerAire Quad fan unit is equipped with both an external serial communication port for BMS interfacing (with appropriate BMS card) and a contact port which enables the user to receive a general alarm contact point and send an enable signal to unit for remote power up function



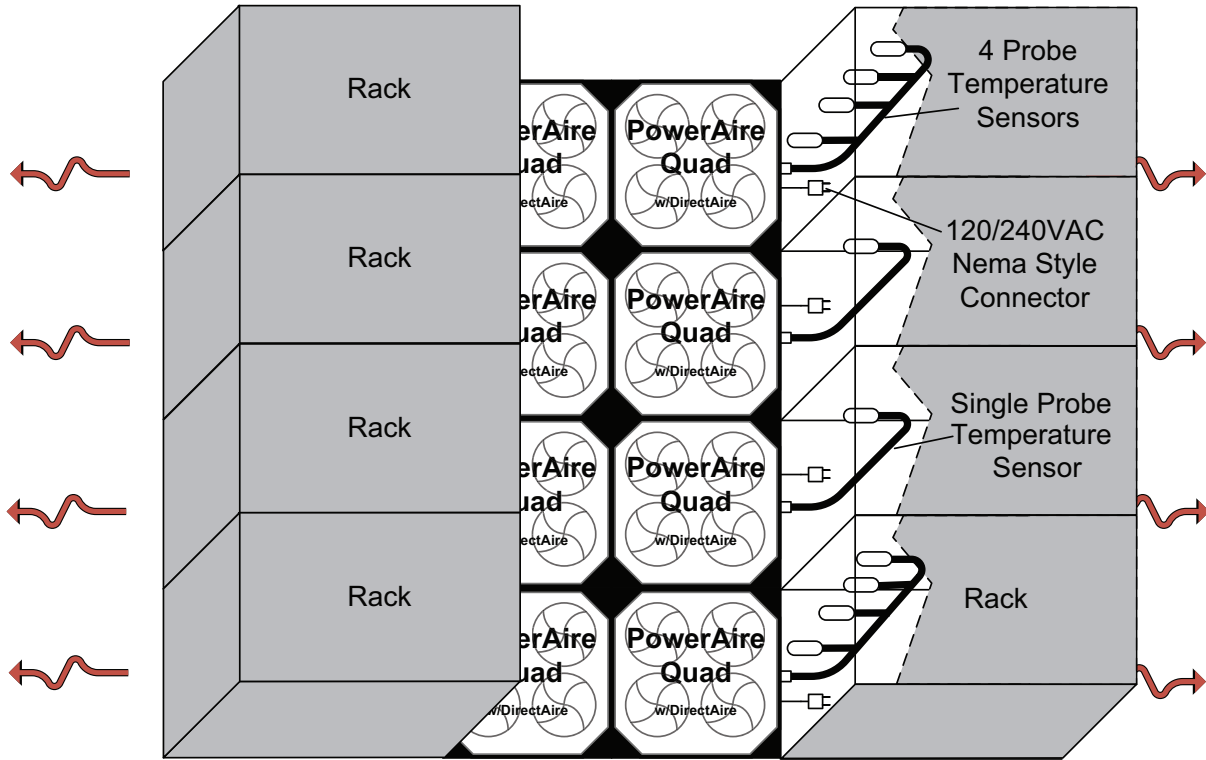
PERFORMANCE

Static Pressure (in. wc)	PowerAire® Quad w/ DirectAire®		PowerAire® Quad w/ DirectAire® AI	
	CFM @ 100% Power	CFM @ 0% Power	CFM @ 100% Power	CFM @ 0% Power
-0.08	1695	/	1710	/
-0.06	1806		1815	
-0.05	1856		1862	
-0.04	1902		1920	
-0.02	1978		1992	
0.00	2000		2020	
0.02	2012	254	2018	245
0.04	2061	365	2110	340
0.05	2086	411	2106	380
0.06	2111	452	2140	470
0.08	2158	525	2130	570
0.1	2199	590	2158	722
0.12	2235	648	2169	809
0.14	2263	702	2290	910
0.16	2284	752	2290	980
0.18	2297	799	2319	1067
0.2	2303	844	2325	1140

INSTALLATION



WIRING DIAGRAM



Note: PowerAire® Quad shown within the interior portion of an aisle.