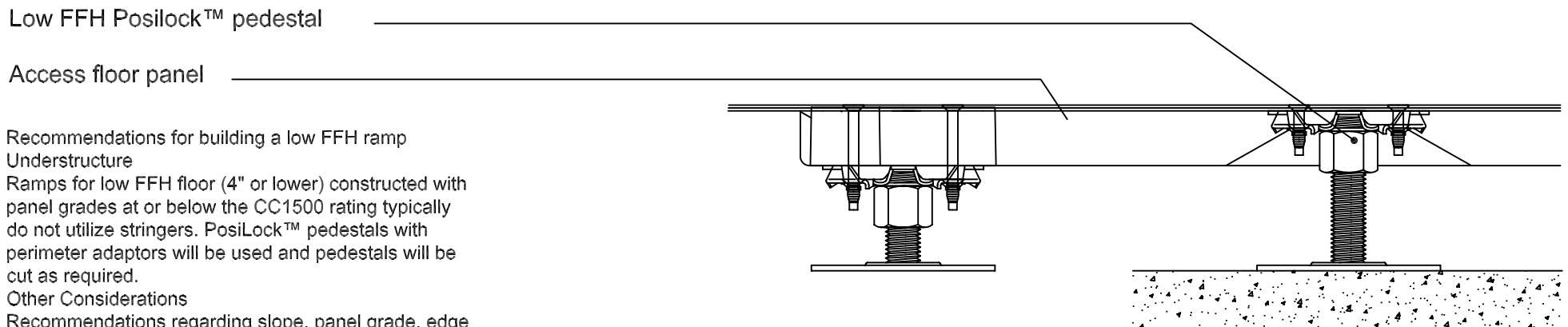
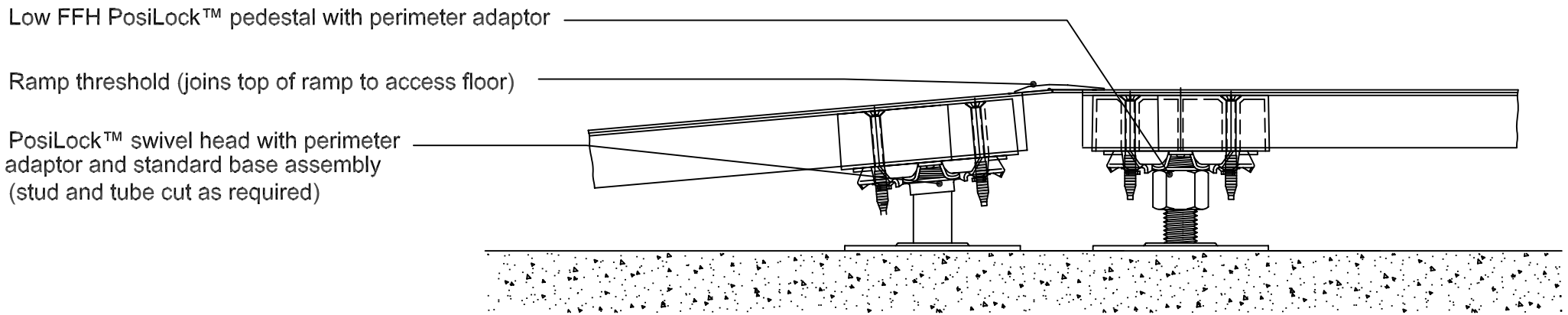
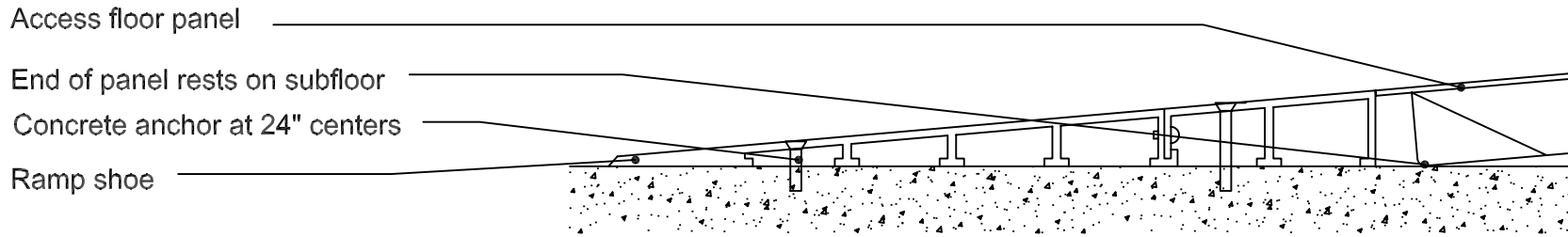


# Low FFH Ramp Details

Tate Access Floors, Inc.  
 7510 Montevideo Road  
 Jessup, MD 20794  
 Tel (410) 799-4200  
 Fax (410) 799-4207



Recommendations for building a low FFH ramp  
 Understructure  
 Ramps for low FFH floor (4" or lower) constructed with panel grades at or below the CC1500 rating typically do not utilize stringers. PosiLock™ pedestals with perimeter adaptors will be used and pedestals will be cut as required.

Other Considerations  
 Recommendations regarding slope, panel grade, edge enclosure and ramp covering are the same as those for standard floor height ramp construction.