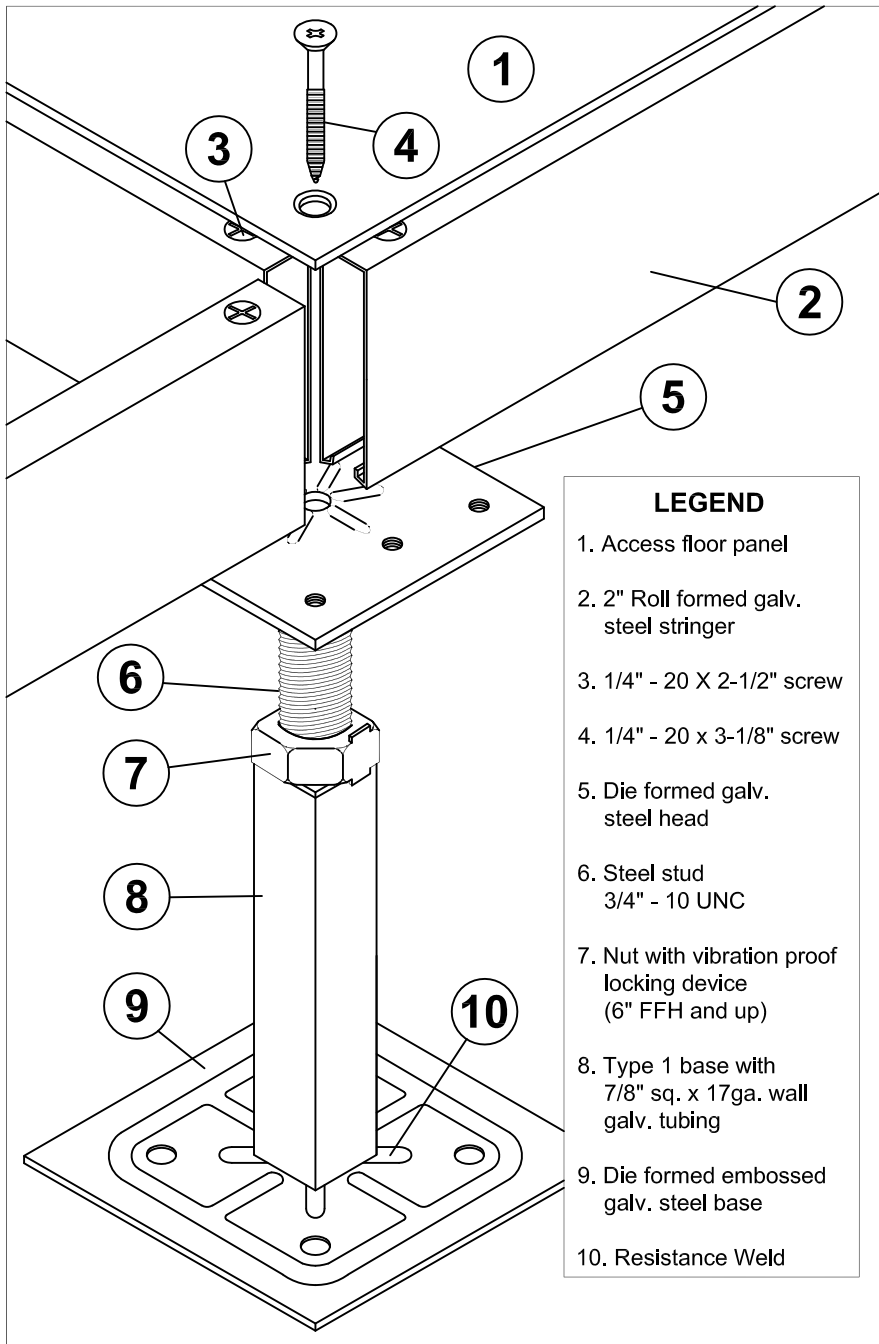


Combination 2" Deep Bolted Stringer and Cornerlock Understructure for ConCore® 3000 Floor Panels-24". Type 1A



- LEGEND**
1. Access floor panel
 2. 2" Roll formed galv. steel stringer
 3. 1/4" - 20 X 2-1/2" screw
 4. 1/4" - 20 x 3-1/8" screw
 5. Die formed galv. steel head
 6. Steel stud 3/4" - 10 UNC
 7. Nut with vibration proof locking device (6" FFH and up)
 8. Type 1 base with 7/8" sq. x 17ga. wall galv. tubing
 9. Die formed embossed galv. steel base
 10. Resistance Weld

PEDESTAL SPECIFICATIONS

Pedestal Assembly

- Assembly up to 36" FFH shall provide a 6,000 lb. axial load without permanent deformation.
- Assembly shall provide a 2" total adjustment with a floor height of 7" or greater.
- Standard finished floor heights from 6" to 36". For other finished floor heights please contact the Tate Technical Hotline @ 800-231-7788. For seismic conditions, refer to seismic submittal details.
- Overturning moment of 1,000 in./lbs. when Tate recommended pedestal adhesive is utilized.
- All pedestal components and fasteners are completely electro-zinc free.

Pedestal Head

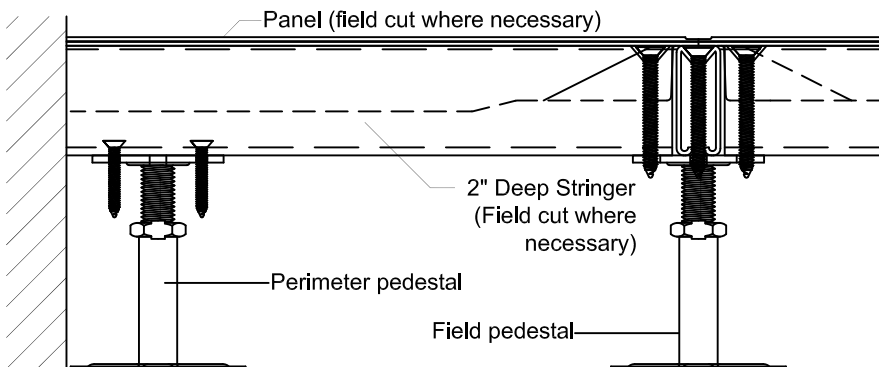
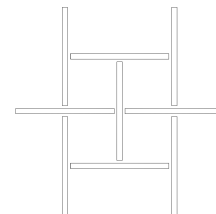
- 8 ga. die formed galvanized steel pedestal head with fillet welded stud with adjustment nut. Head and installed stringers shall provide full perimeter edge support for panel.
- Stringers shall be attached with 1/4" - 20 flat-head screws.
- Pedestal head shall be tapped for engagement of stringer screws.
- Steel stud shall be 3/4" - 10 UNC.
- Nut shall be 3/4" - 10 UNC with corrosion resistant coating.
- Cornerlock fastener shall be 1/4" - 20 flat-head machine screw.

Pedestal Base

- Base to be at least 16" square and galvanized steel with (4) 1/4" diameter holes for mechanical fastening applications.
- Pedestal tube shall be 7/8" x 17 ga. wall square galvanized tubing.

Stringers

- Heavy duty roll formed steel stringer shall be 2" deep X 3/4" wide and shall withstand 1250 lb. mid-span load.
- Galvannealed stringer construction to prevent corrosion. Zinc electroplating is prohibited.
- Stringer grid pattern shall be 4' by 4' basketweave.



Perimeter

- Perimeter pedestal shall provide support for panels around columns, at walls, curbs and fascia.